

CHJ13-32M Manual For Smart Circuit Breaker That Can Be Measured And Remotely Controlled



For more information, please scan the qr code or visit the following website:

[Http://www.Oldlang.cn/eproducts/47.html](http://www.Oldlang.cn/eproducts/47.html)

[Http://www.Oldlang.cn](http://www.Oldlang.cn)



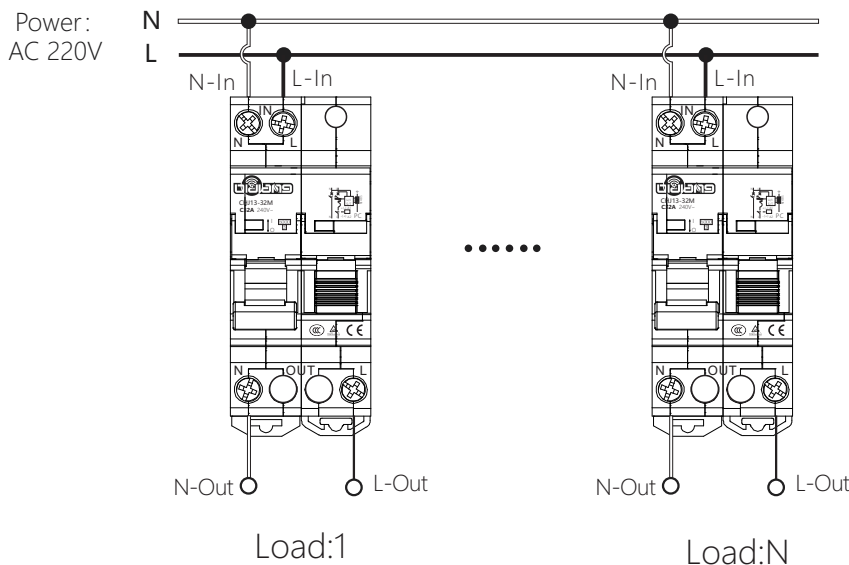
OLDLANG SMART TECHNOLOGY CO.,LTD

Important:

- 👁️ The CHJ13-32M must be installed, set up and serviced by qualified personnel;
- 👁️ If you find CHJ13-32M damaged when you open the package, do not install it;
- 👁️ It is not possible to install CHJ13-32M on the circuit requiring 100% continuity of power supply.
- 👁️ It is not possible to install CHJ13-32M on the circuit that cannot be cut off;
All relevant national, regional and local safety regulations must be complied with when installing and using these products;
- 👁️ The manufacturer shall not be liable for failure to comply with the instructions given in this instruction manual.



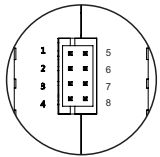
1 Typical installation and wiring



MCB:

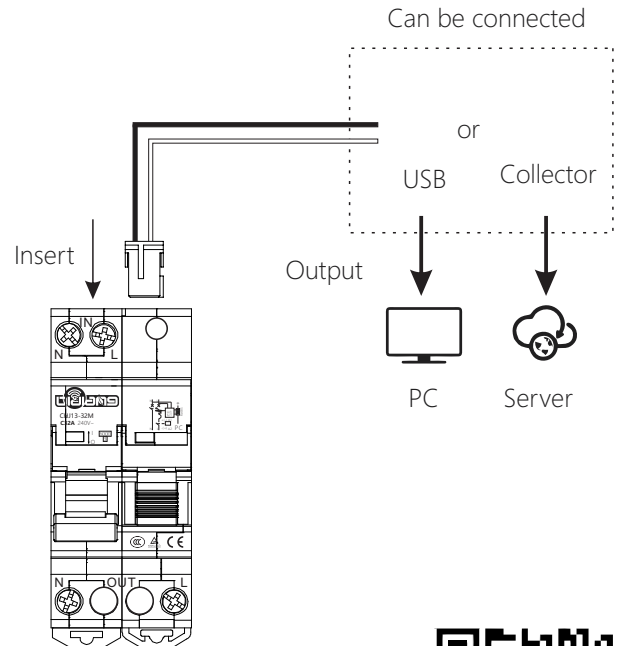
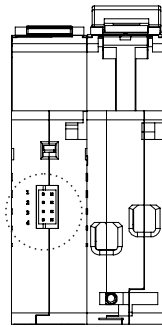
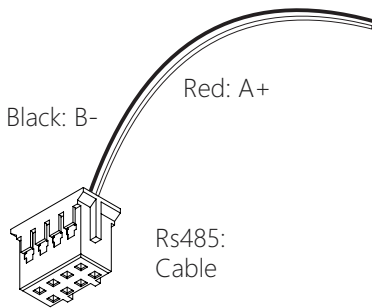
Short circuit protection
+ overload protection
+ shock protection

2 Connection of communication port Rs485



Rs485:
Communication port

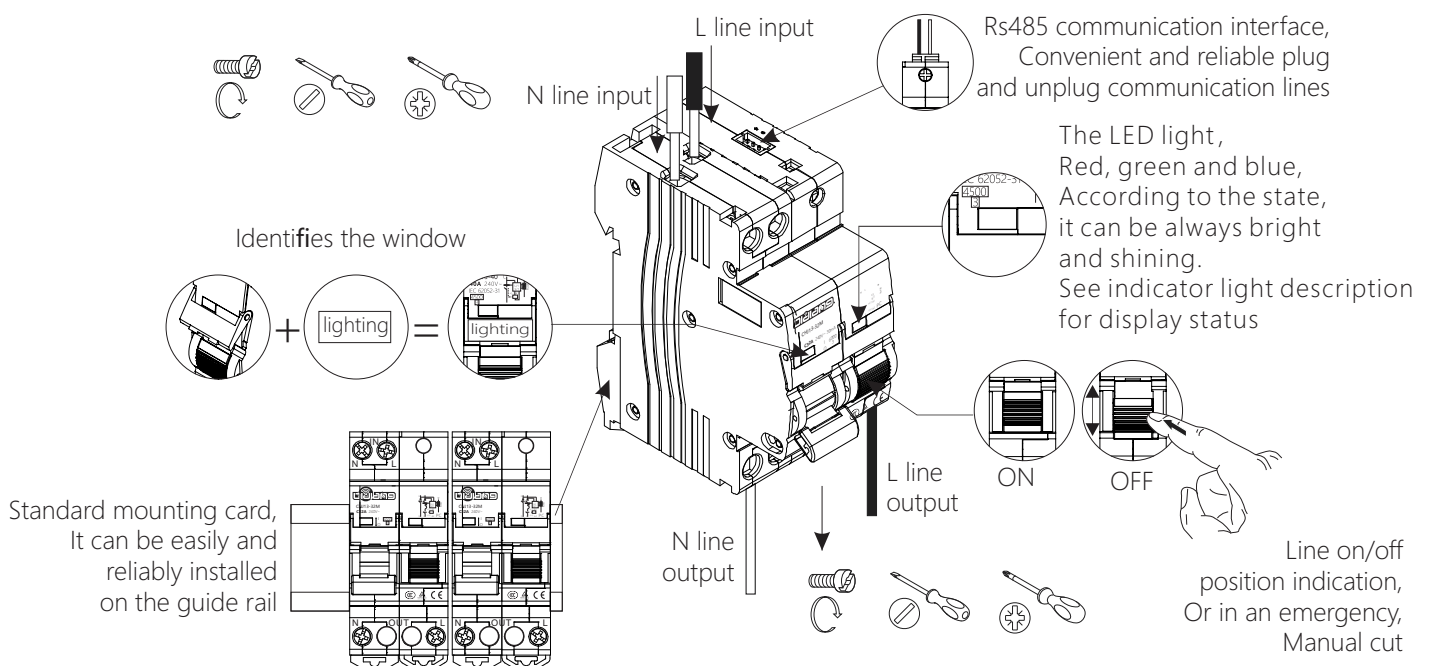
- 1#: Date+/A; 5#: Date-/B
- 2#, 3#, 6#, 7#: Extended port, can be customized smoke, heat and other forms of sensing control.
- 4#: Time RTC reverse power supply + pole



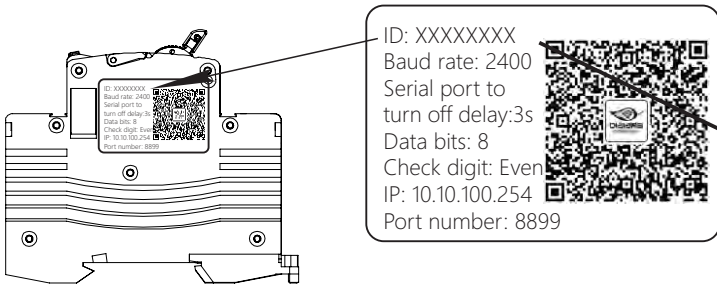
USB driver, please scan the qr code or visit the following website:
[Http://www.Oldlang.cn/download/149.html](http://www.Oldlang.cn/download/149.html)
[Http://www.Oldlang.cn](http://www.Oldlang.cn)



3 Used to introduce



4 The software Settings



Input the corresponding ID code to the software: In the mailing address configuration column.



Note: each product has different ID codes. See the code identification on the side of the product.

Connection method 1:

Rs485 to USB, wired to computer or similar device

Address configuration:

Enter the ID code on the side of the product;

Serial port configuration: COM port - automatic scan port;

Baud rate- 9600;

Serial port to turn off delay- 3000ms;

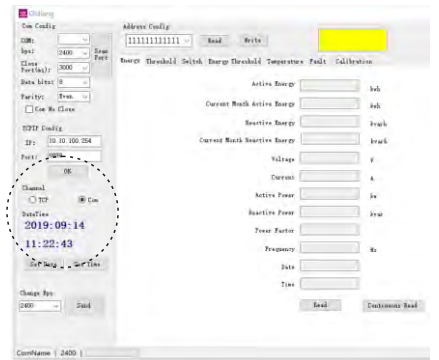
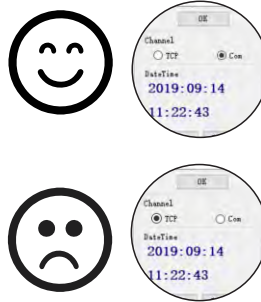
Data bits- 8;

Data bits- Even.

IP- 10.10.100.254;

Port number- 8899.

Channel selection: COM.



Connection method 2: Connect RS485 to WiFi or similar wireless mode to computer or similar device. First, connect RS485 to converter (converter is purchased separately), and place the computer or similar device and converter in the same wireless network.

Address configuration:

Enter the ID code on the side of the product;

Serial port configuration: COM port - automatic scan port;

Baud rate- 9600;

Serial port to turn off delay- 3000ms;

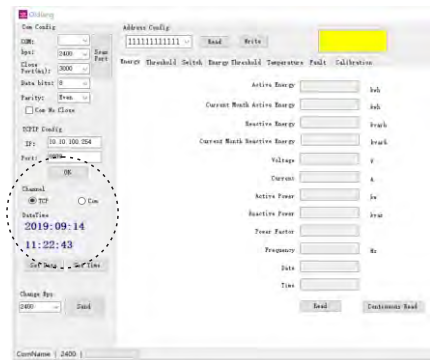
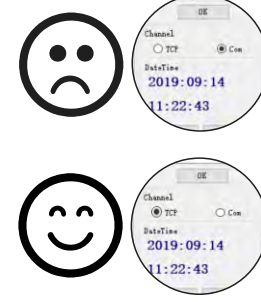
Data bits- 8;

Data bits- Even.

IP- 10.10.100.254;

Port number- 8899.

Channel selection: TCP.

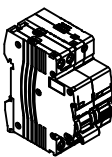


5 Indicator light description

Function	Functional content introduction	Indicator light on			Flashing light		
		G	R	B	G	R	B
Normal electricity (closing state)	The electrical terminal is in normal condition. The switch is in ON state	●					
Overvoltage and undervoltage fault (brake pulling state)	Overvoltage and undervoltage did not reach the recovery value					●	
Overload fault (brake pulling state)	Line overload reaches set point and disconnects		●				
Fault locking (brake pulling state)	When the circuit continues to fail after the specified number of automatic closing, manually or remotely operated by APP after testing and maintaining the circuit (the load closing function should be turned on) and power consumption exceeds the limit (the state after the value of electricity usage reaches the set value and is disconnected).			●			
Self-checking function	Intelligent circuit breaker performs self-check function and indicates the state when starting						●
Failover state	The closing waiting time of the equipment after the over-voltage protection function is broken and the automatic closing function is turned on (delay reclosing prompt)				●		
Lights went out	The switch is out of power or on						

6 Other

CHJ13-32M Smart circuit breaker that can be measured and remotely controlled



CHJ13-32M Manual For Smart Circuit Breaker That Can Be Measured And Remotely Controlled

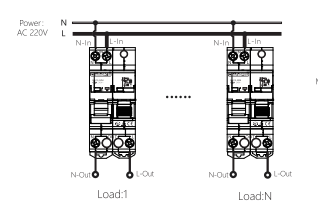
For more information, please scan the qr code or visit the following website:
<http://www.Oldlang.cn/products/47.html>
<http://www.Oldlang.cn>

OLDLANG SMART TECHNOLOGY CO.,LTD

Important:

- ⓘ The CHJ13-32M must be installed, set up and serviced by qualified personnel;
- ⓘ If you find CHJ13-32M damaged when you open the package, do not install it;
- ⓘ It is not possible to install CHJ13-32M on the circuit requiring 100% continuity of power supply.
- ⓘ It is not possible to install CHJ13-32M on the circuit that cannot be cut off.
- ⓘ All relevant national, regional and local safety regulations must be complied with when installing and using these products;
- ⓘ The manufacturer shall not be liable for failure to comply with the instructions given in this instruction manual.

1 Typical installation and wiring



MCB: Short circuit protection + overload protection + shock protection



To set up CHJ13, please scan the qr code or visit the following website:
<http://www.oldlang.cn/edownload/206.html>
[Http://www.Oldlang.cn](http://www.Oldlang.cn)



To read the electronic manual, please scan the qr code or visit the following website:
<http://www.oldlang.cn/edownload/207.html>
[Http://www.Oldlang.cn](http://www.Oldlang.cn)



HANGZHOU OLDLANG SMART TECHNOLOGY CO.,LTD
[Http://www.Oldlang.cn](http://www.Oldlang.cn) Oldlang_000@163.com

