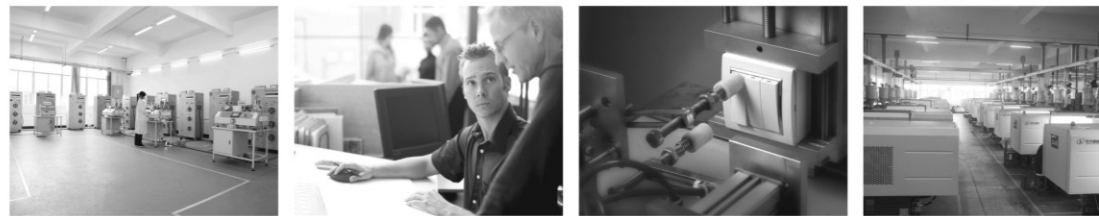


WEATHERPROOF SWITCHES PRODUCT CATALOGUE





It has always been our relentless pursuit of "a world brand, the industry for the first" business philosophy, ultra-large-scale manufacturing capacity. For the development of the enterprise, we believe the superior quality is manufactured. Since production began from that day, selection of raw materials, process Designated, the choice of production equipment, can now raise the spirit of enterprise. For us, even to a small title, a label, Do not let the wrong living to the next link. All production staff, obsessed customers to obtain products stand the test of time, Make higher-value products.

Company Profile

Oldlang Smart Electrical is a new-type architectural electrical enterprise engaging in R&D, production and sales. We specialize in production of low-voltage electrical products including medium and high grade wall switches, sockets, plugs, circuit breakers and lighting equipment. devote ourselves to build a most popular professional architectural electrical manufacturer, and provide customers the best comprehensive solutions of architectural electrical products.

Our company is located in Hangzhou, a city of low-voltage electrical equipment. Advanced automatic equipment and our professional experience in the architectural electrical field enable our products to keep strong vitality. Among them, high-precision injection molding machines with Taiwan technologies are characterized by advanced mold technologies, and have realize automatic drawing material and automatic demolding. Meanwhile, we adopt automatic equipment and technologies like silver contact riveting machines and auto-screwdriving machines so as to guarantee product quality, employee safety and process stability.

Today, The Company products are exported to Europe, America and the Middle East. Our professional marketing & technological service teams and perfect technological service network make us to response to customers' requirements rapidly so we can relieve customers' worries better.

We have experienced and vibrant management teams, outstanding research personnel, professional and effective technological support and first-rate production management. We cooperate with top Italian design teams so we are capable of developing and designing products that meet general international standards like American, British and European standards.

The Company has strict quality standards for material- incoming inspection, plastic parts inspection, process inspection (glowing filament testing), sliver layer thickness inspection, performance life testing, plastic ball pressure testing, switch&socket on-off testing of assembly line, and doorbell testing. We have established a scientific, comprehensive, and complete quality control system from raw materials to finished products. We have obtained the certification of ISO9001 :2000 International Quality System. Our products have got CB and CE certifications issued by BV and Intertek.

We respect our employees and customers. We offer opportunities to employees to develop their careers and enjoy their life, and help customers create values and develop business. We believe that the culture of home will bring respect not only for ourselves but also for customers.



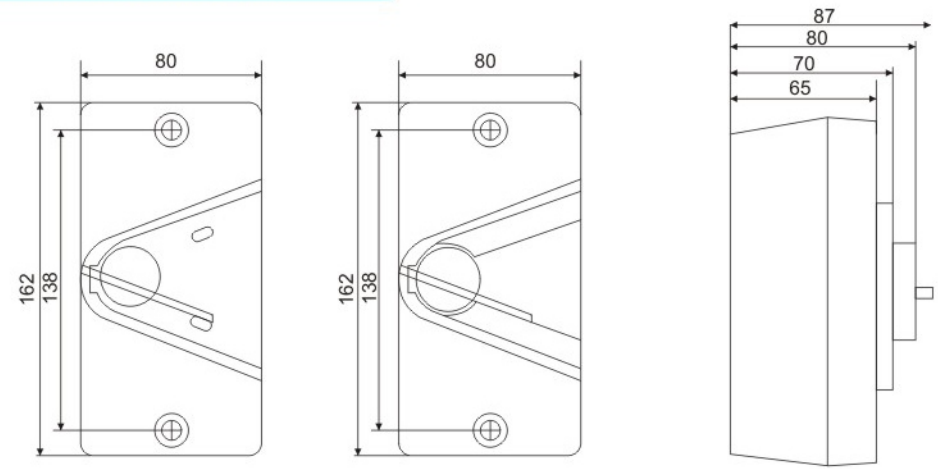


UKF F-UKF N-UKF S-UKF M-UKF

Specification

Cat.No.	Rating(Amps)	Designation	Wiring Diagram	IP Rating
UKF120	20A	Single Pole		IP66
UKF132	32A			
UKF145	45A			
UKF163	63A			
UKF220	20A	Double Pole		IP66
UKF232	32A			
UKF245	45A			
UKF263	63A			
UKF320	20A	Triple Pole		IP66
UKF332	32A			
UKF345	45A			
UKF363	63A			
UKF420	20A	Four Pole		IP66
UKF432	32A			
UKF445	45A			
UKF463	63A			

尺寸图 Overall & Mounting Dimensions



开关插座 SWITCHED SOCKET OUTLET + TRANSLUCENT LID



MK-TC CSC TCS

防水开关 WEATHERPROOF SWITCH



MP12 MP23 MP24 MP42

Catalogue Number	Description
MP12	1 gang, 2 way
MP42	2 gang, 2 way
MP23	1gang, 2 way retractive, printed "PRESS"
MP24	1 gang, double pole



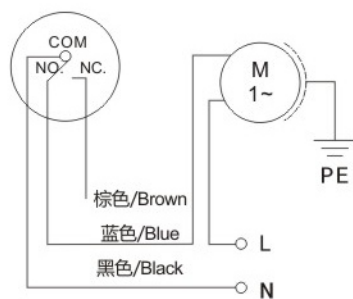
**HT-M15-1
FLOAT SWITCH**

技术参数/TECHNICAL DATA

- | | |
|--------------------|---------------------------------|
| 1、额定电压：AC 110/220V | 1. Rated voltage: AC 110/220V |
| 2、最大电流：AC 16(4)A | 2. Max. Current: AC 16(4) A |
| 3、频率：50/60Hz | 3. Frequency: 50/60Hz |
| 4、最高使用温度：60°C | 4. Max. Using Temperature: 60°C |
| 5、保护等级：IP68 | 5. Protection Degree: IP68 |

描述/DESCRIPTIONS

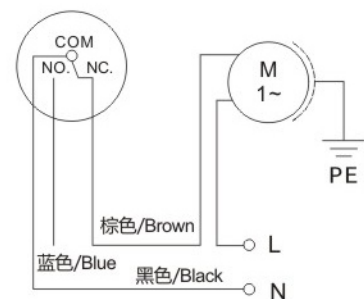
1.自动补水模式 Auto-fill-water modes



将控制器的蓝色线与水泵相连，黑色线与零线相连，棕色线不接并绝缘。

Connect the control's blue line to electric pump, black line is connected to zero-line, brown line can not be connected and should be insulated.

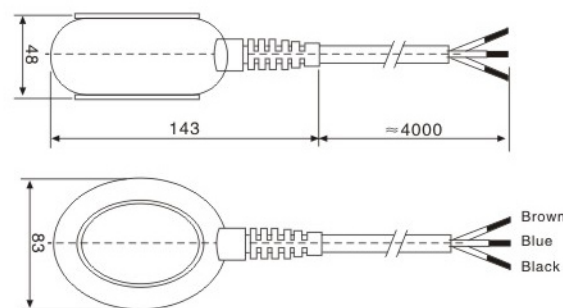
2.自动排水模式
Auto-drainage and lack-water protection modes



将控制器的棕色线与水泵相连，黑色线与零线相连，蓝色线不接并绝缘。

Connect the control's brown line to electric pump, black line is connected to zero-line, blue line can not be connected and should be insulated.

3.外形与尺寸 Outline dimension



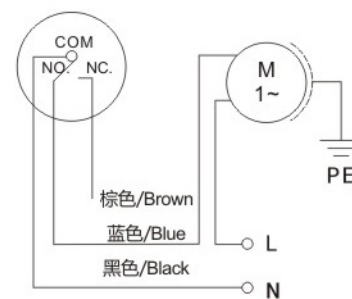
**HT-M15-2
FLOAT SWITCH**

技术参数/TECHNICAL DATA

- | | |
|--------------------|---------------------------------|
| 1、额定电压：AC 110/220V | 1. Rated voltage: AC 110/220V |
| 2、最大电流：AC 16(4)A | 2. Max. Current: AC 16(4) A |
| 3、频率：50/60Hz | 3. Frequency: 50/60Hz |
| 4、最高使用温度：60°C | 4. Max. Using Temperature: 60°C |
| 5、保护等级：IP68 | 5. Protection Degree: IP68 |

描述/DESCRIPTIONS

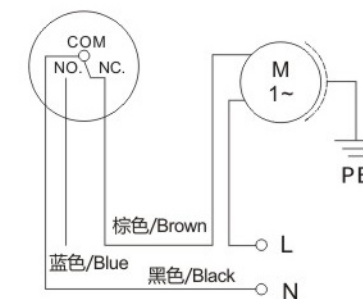
1.自动补水模式 Auto-fill-water modes



将控制器的蓝色线与水泵相连，黑色线与零线相连，棕色线不接并绝缘。

Connect the control's blue line to electric pump, black line is connected to zero-line, brown line can not be connected and should be insulated.

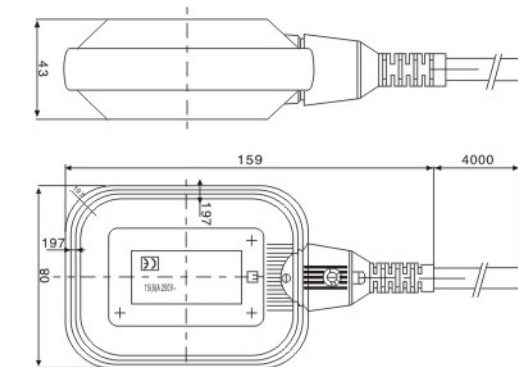
2.自动排水模式
Auto-drainage and lack-water protection modes



将控制器的棕色线与水泵相连，黑色线与零线相连，蓝色线不接并绝缘。

Connect the control's brown line to electric pump, black line is connected to zero-line, blue line can not be connected and should be insulated.

3.外形与尺寸 Outline dimension





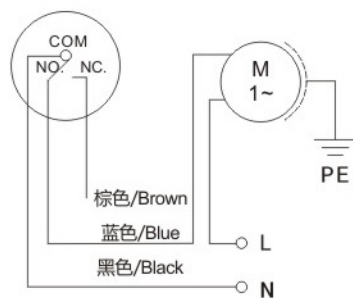
**HT-M15-3
FLOAT SWITCH**

技术参数/TECHNICAL DATA

- | | |
|--------------------|---------------------------------|
| 1、额定电压：AC 110/220V | 1. Rated voltage: AC 110/220V |
| 2、最大电流：AC 16(4)A | 2. Max. Current: AC 16(4) A |
| 3、频率：50/60Hz | 3. Frequency: 50/60Hz |
| 4、最高使用温度：60°C | 4. Max. Using Temperature: 60°C |
| 5、保护等级：IP68 | 5. Protection Degree: IP68 |

描述/DESCRIPTIONS

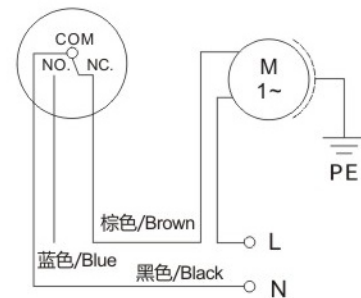
1.自动补水模式 Auto-fill-water modes



将控制器的蓝色线与水泵相连，黑色线与零线相连，棕色线不接并绝缘。

Connect the control's blue line to electric pump, black line is connected to zero-line, brown line can not be connected and should be insulated.

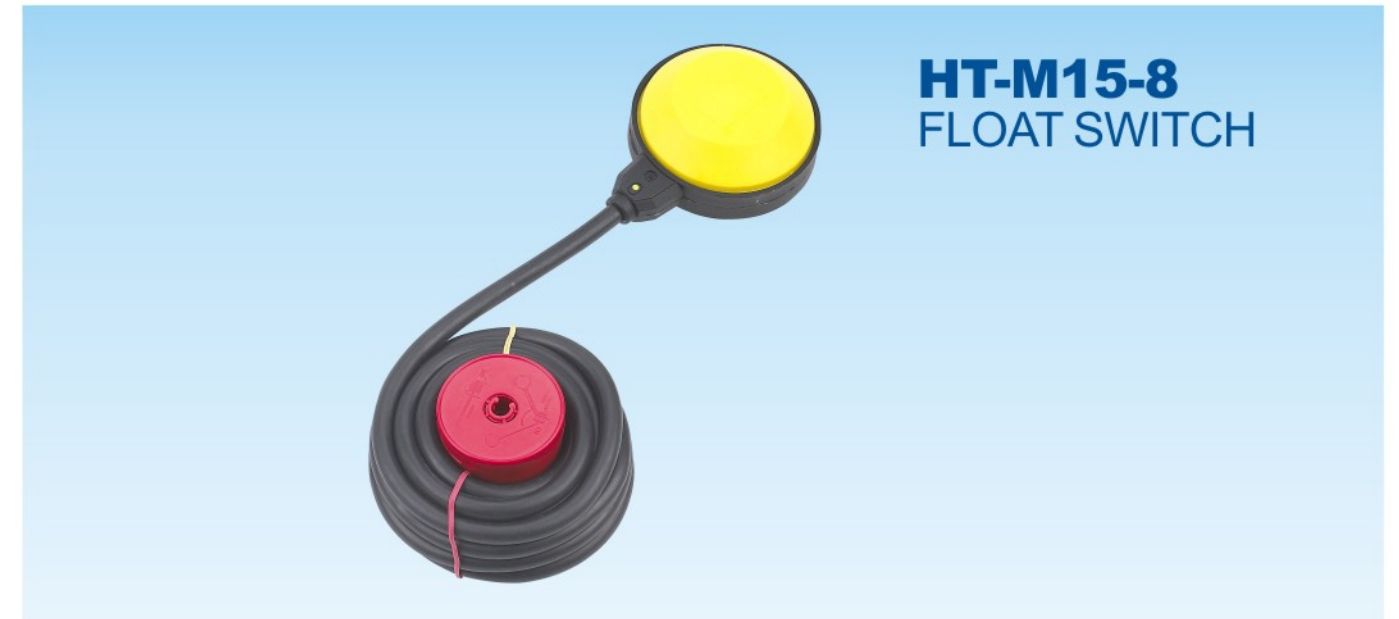
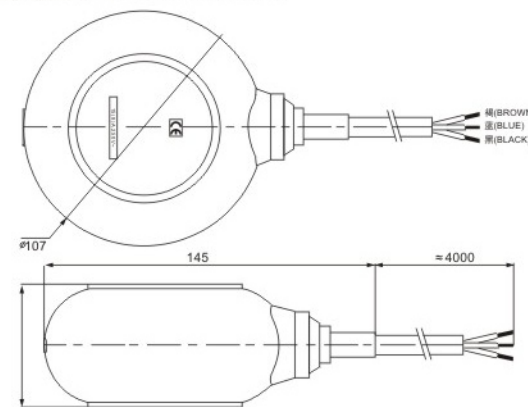
2.自动排水模式
Auto-drainage and lack-water protection modes



将控制器的棕色线与水泵相连，黑色线与零线相连，蓝色线不接并绝缘。

Connect the control's brown line to electric pump, black line is connected to zero-line, blue line can not be connected and should be insulated.

3.外形与尺寸 Outline dimension



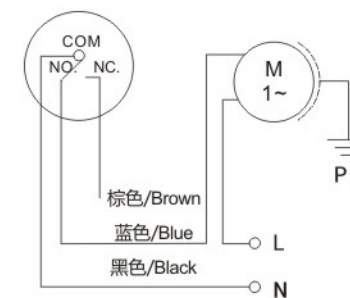
**HT-M15-8
FLOAT SWITCH**

技术参数/TECHNICAL DATA

- | | |
|--------------------|---------------------------------|
| 1、额定电压：AC 110/220V | 1. Rated voltage: AC 110/220V |
| 2、最大电流：AC 16(4)A | 2. Max. Current: AC 16(4) A |
| 3、频率：50/60Hz | 3. Frequency: 50/60Hz |
| 4、最高使用温度：60°C | 4. Max. Using Temperature: 60°C |
| 5、保护等级：IP68 | 5. Protection Degree: IP68 |

描述/DESCRIPTIONS

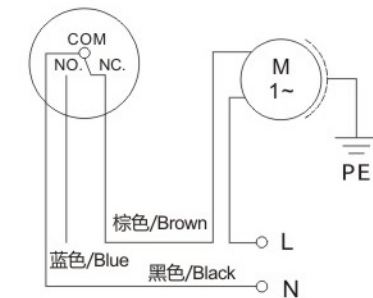
1.自动补水模式 Auto-fill-water modes



将控制器的蓝色线与水泵相连，黑色线与零线相连，棕色线不接并绝缘。

Connect the control's blue line to electric pump, black line is connected to zero-line, brown line can not be connected and should be insulated.

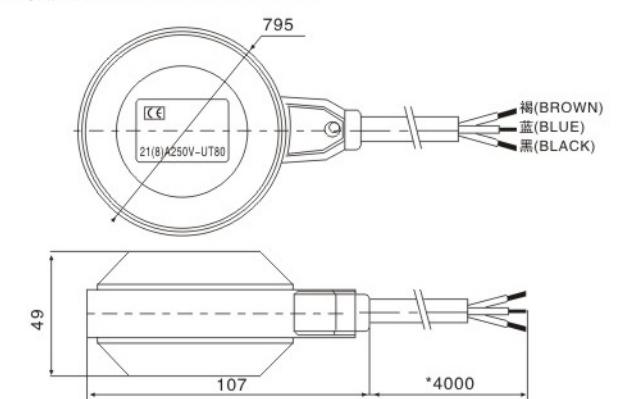
2.自动排水模式
Auto-drainage and lack-water protection modes



将控制器的棕色线与水泵相连，黑色线与零线相连，蓝色线不接并绝缘。

Connect the control's brown line to electric pump, black line is connected to zero-line, blue line can not be connected and should be insulated.

3.外形与尺寸 Outline dimension





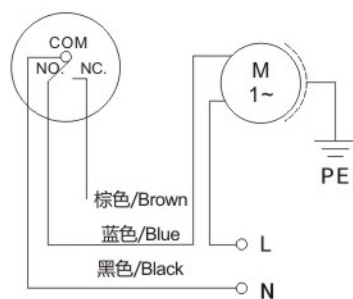
**HT-M15-10
FLOAT SWITCH**

技术参数/TECHNICAL DATA

- | | |
|--------------------|---------------------------------|
| 1、额定电压：AC 110/220V | 1. Rated voltage: AC 110/220V |
| 2、最大电流：AC 16(4)A | 2. Max. Current: AC 16(4) A |
| 3、频率：50/60Hz | 3. Frequency: 50/60Hz |
| 4、最高使用温度：60°C | 4. Max. Using Temperature: 60°C |
| 5、保护等级：IP68 | 5. Protection Degree: IP68 |

描述/DESCRIPTIONS

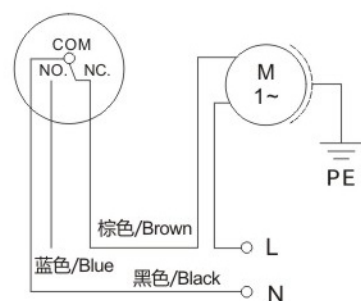
1.自动补水模式 Auto-fill-water modes



将控制器的蓝色线与水泵相连，黑色线与零线相连，棕色线不接并绝缘。

Connect the control's blue line to electric pump, black line is connected to zero-line, brown line can not be connected and should be insulated.

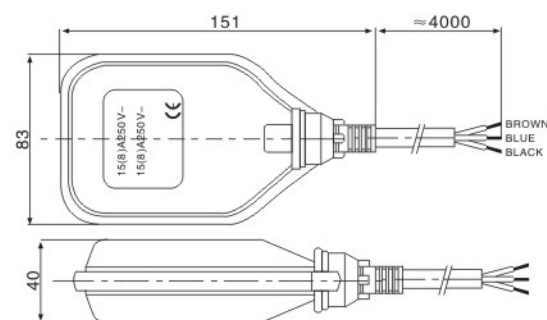
2.自动排水模式
Auto-drainage and lack-water protection modes



将控制器的棕色线与水泵相连，黑色线与零线相连，蓝色线不接并绝缘。

Connect the control's brown line to electric pump, black line is connected to zero-line, blue line can not be connected and should be insulated.

3.外形与尺寸 Outline dimension



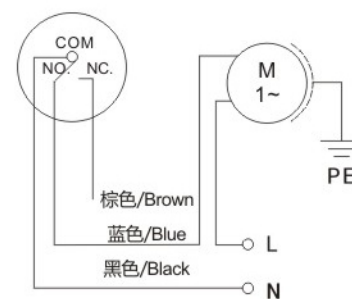
**HT-M15-11
FLOAT SWITCH**

技术参数/TECHNICAL DATA

- | | |
|--------------------|---------------------------------|
| 1、额定电压：AC 110/220V | 1. Rated voltage: AC 110/220V |
| 2、最大电流：AC 16(4)A | 2. Max. Current: AC 16(4) A |
| 3、频率：50/60Hz | 3. Frequency: 50/60Hz |
| 4、最高使用温度：60°C | 4. Max. Using Temperature: 60°C |
| 5、保护等级：IP68 | 5. Protection Degree: IP68 |

描述/DESCRIPTIONS

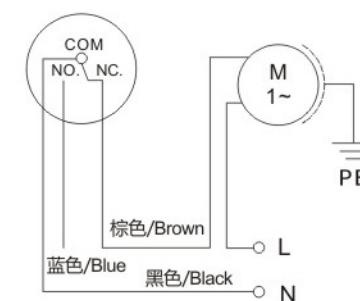
1.自动补水模式 Auto-fill-water modes



将控制器的蓝色线与水泵相连，黑色线与零线相连，棕色线不接并绝缘。

Connect the control's blue line to electric pump, black line is connected to zero-line, brown line can not be connected and should be insulated.

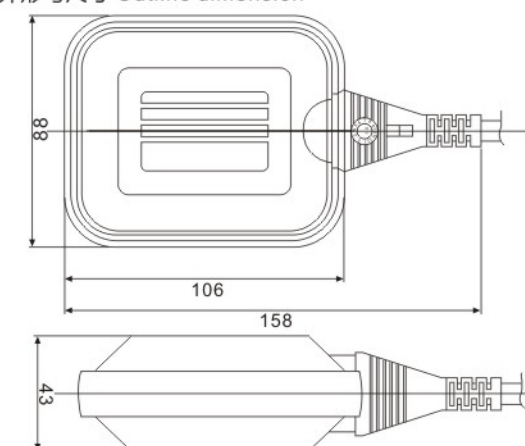
2.自动排水模式
Auto-drainage and lack-water protection modes



将控制器的棕色线与水泵相连，黑色线与零线相连，蓝色线不接并绝缘。

Connect the control's brown line to electric pump, black line is connected to zero-line, blue line can not be connected and should be insulated.

3.外形与尺寸 Outline dimension





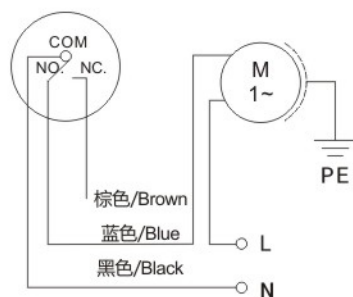
**HT-M15-7
FLOAT SWITCH**

技术参数/TECHNICAL DATA

- | | |
|--------------------|---------------------------------|
| 1、额定电压：AC 110/220V | 1. Rated voltage: AC 110/220V |
| 2、最大电流：AC 16(4)A | 2. Max. Current: AC 16(4) A |
| 3、频率：50/60Hz | 3. Frequency: 50/60Hz |
| 4、最高使用温度：60°C | 4. Max. Using Temperature: 60°C |
| 5、保护等级：IP68 | 5. Protection Degree: IP68 |

描述/DESCRIPTIONS

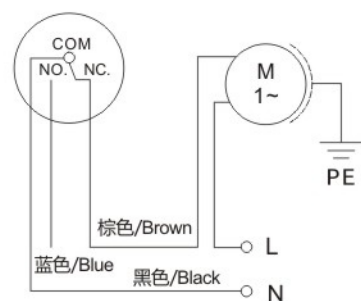
1.自动补水模式 Auto-fill-water modes



将控制器的蓝色线与水泵相连，黑色线与零线相连，棕色线不接并绝缘。

Connect the control's blue line to electric pump, black line is connected to zero-line, brown line can not be connected and should be insulated.

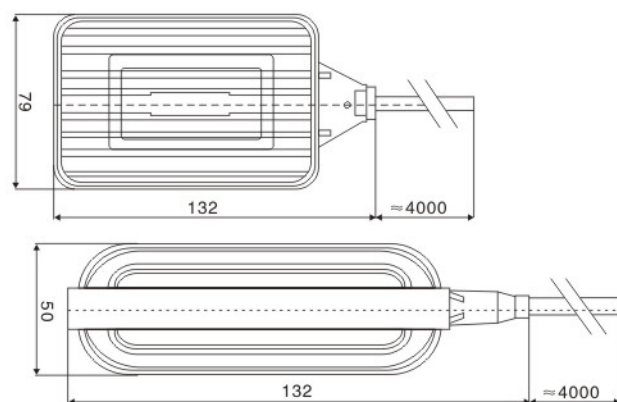
2.自动排水模式
Auto-drainage and lack-water protection modes



将控制器的棕色线与水泵相连，黑色线与零线相连，蓝色线不接并绝缘。

Connect the control's brown line to electric pump, black line is connected to zero-line, blue line can not be connected and should be insulated.

3.外形与尺寸 Outline dimension



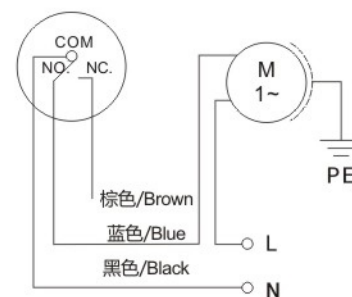
**HT-M15-9
FLOAT SWITCH**

技术参数/TECHNICAL DATA

- | | |
|--------------------|---------------------------------|
| 1、额定电压：AC 110/220V | 1. Rated voltage: AC 110/220V |
| 2、最大电流：AC 16(4)A | 2. Max. Current: AC 16(4) A |
| 3、频率：50/60Hz | 3. Frequency: 50/60Hz |
| 4、最高使用温度：60°C | 4. Max. Using Temperature: 60°C |
| 5、保护等级：IP68 | 5. Protection Degree: IP68 |

描述/DESCRIPTIONS

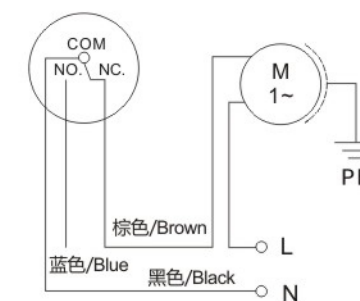
1.自动补水模式 Auto-fill-water modes



将控制器的蓝色线与水泵相连，黑色线与零线相连，棕色线不接并绝缘。

Connect the control's blue line to electric pump, black line is connected to zero-line, brown line can not be connected and should be insulated.

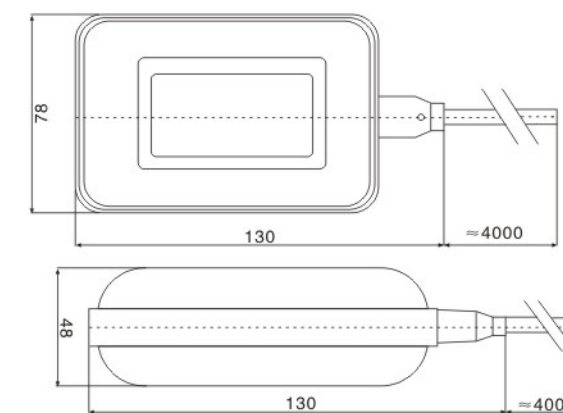
2.自动排水模式
Auto-drainage and lack-water protection modes



将控制器的棕色线与水泵相连，黑色线与零线相连，蓝色线不接并绝缘。

Connect the control's brown line to electric pump, black line is connected to zero-line, blue line can not be connected and should be insulated.

3.外形与尺寸 Outline dimension



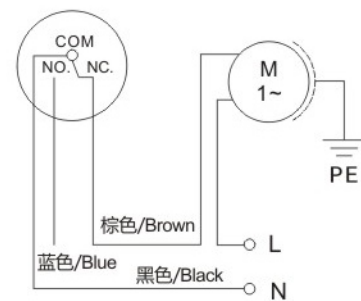


**HT-M15-4
FLOAT SWITCH**

技术参数/TECHNICAL DATA

- | | |
|-----------------------|---------------------------------|
| 1. 额定电压 : AC 110/220V | 1. Rated voltage: AC 110/220V |
| 2. 最大电流 : AC 16(4)A | 2. Max. Current: AC 16 (4) A |
| 3. 频率 : 50/60Hz | 3. Frequency: 50/60Hz |
| 4. 最高使用温度 : 60°C | 4. Max. Using Temperature: 60°C |
| 5. 保护等级 : IP68 | 5. Protection Degree: IP68 |

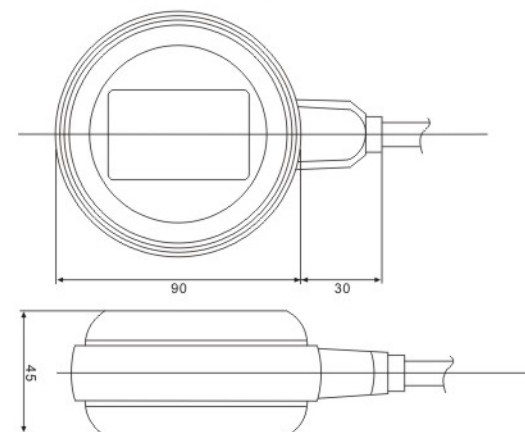
2.自动排水模式
Auto-drainage and lack-water protection modes



将控制器的棕色线与水泵相连, 黑色线与零线相连, 蓝色线不接并绝缘。

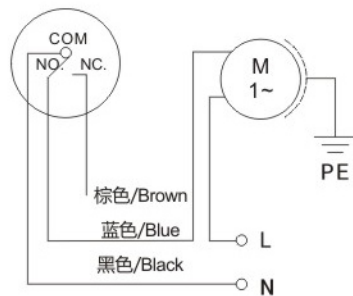
Connect the control's brown line to electric pump, black line is connected to zero-line, blue line can not be connected and should be insulated.

3.外形与尺寸 Outline dimension



描述/DESCRIPTIONS

1.自动补水模式 Auto-fill-water modes



将控制器的蓝色线与水泵相连, 黑色线与零线相连, 棕色线不接并绝缘。

Connect the control's blue line to electric pump, black line is connected to zero-line, brown line can not be connected and should be insulated.

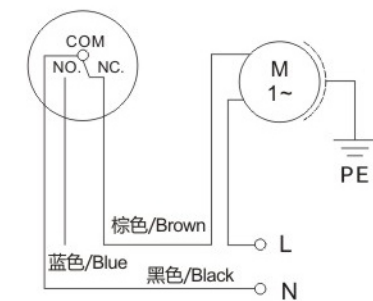


**HT-M15-15
FLOAT SWITCH**

技术参数/TECHNICAL DATA

- | | |
|-----------------------|---------------------------------|
| 1. 额定电压 : AC 110/220V | 1. Rated voltage: AC 110/220V |
| 2. 最大电流 : AC 21(8)A | 2. Max. Current: AC 21(8)A |
| 3. 频率 : 50/60Hz | 3. Frequency: 50/60Hz |
| 4. 最高使用温度 : 60°C | 4. Max. Using Temperature: 60°C |
| 5. 保护等级 : IP68 | 5. Protection Degree: IP68 |

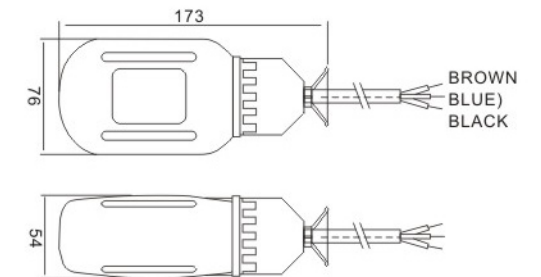
2.自动排水模式
Auto-drainage and lack-water protection modes



将控制器的棕色线与水泵相连, 黑色线与零线相连, 蓝色线不接并绝缘。

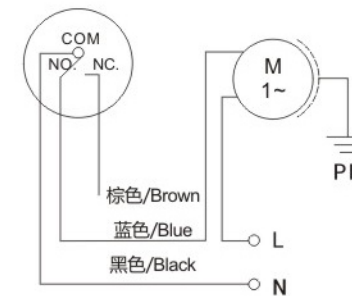
Connect the control's brown line to electric pump, black line is connected to zero-line, blue line can not be connected and should be insulated.

3.外形与尺寸 Outline dimension



描述/DESCRIPTIONS

1.自动补水模式 Auto-fill-water modes



将控制器的蓝色线与水泵相连, 黑色线与零线相连, 棕色线不接并绝缘。

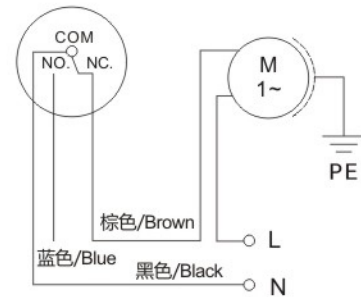
Connect the control's blue line to electric pump, black line is connected to zero-line, brown line can not be connected and should be insulated.



技术参数/TECHNICAL DATA

- | | |
|-----------------------|---------------------------------|
| 1. 额定电压 : AC 110/220V | 1. Rated voltage: AC 110/220V |
| 2. 最大电流 : AC 16(4)A | 2. Max. Current: AC 16(4) A |
| 3. 频率 : 50/60Hz | 3. Frequency: 50/60Hz |
| 4. 最高使用温度 : 60°C | 4. Max. Using Temperature: 60°C |
| 5. 保护等级 : IP68 | 5. Protection Degree: IP68 |

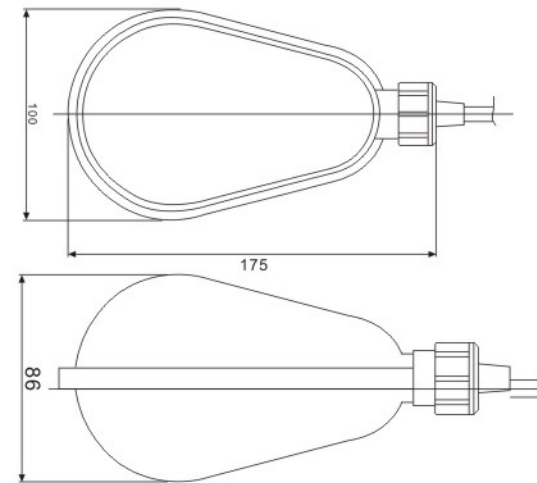
2.自动排水模式 Auto-drainage and lack-water protection modes



将控制器的棕色线与水泵相连, 黑色线与零线相连, 蓝色线不接并绝缘。

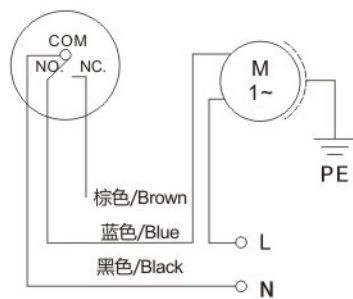
Connect the control's brown line to electric pump, black line is connected to zero-line, blue line can not be connected and should be insulated.

3.外形与尺寸 Outline dimension



描述/DESCRIPTIONS

1.自动补水模式 Auto-fill-water modes



将控制器的蓝色线与水泵相连, 黑色线与零线相连, 棕色线不接并绝缘。

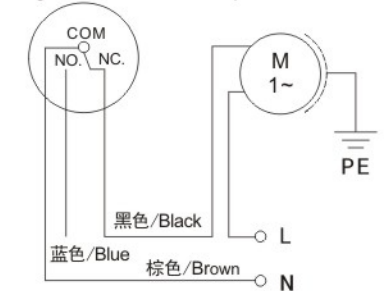
Connect the control's blue line to electric pump, black line is connected to zero-line, brown line can not be connected and should be insulated.



技术参数/TECHNICAL DATA

- | | |
|-----------------------|---------------------------------|
| 1. 额定电压 : AC 110/220V | 1. Rated voltage: AC 110/220V |
| 2. 最大电流 : AC 16(4)A | 2. Max. Current: AC 16(4) A |
| 3. 频率 : 50/60Hz | 3. Frequency: 50/60Hz |
| 4. 最高使用温度 : 60°C | 4. Max. Using Temperature: 60°C |
| 5. 保护等级 : IP68 | 5. Protection Degree: IP68 |

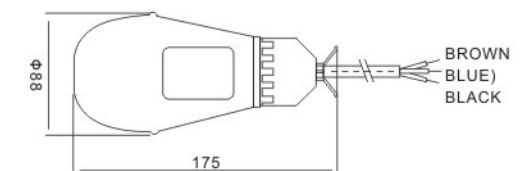
2.自动排水模式 Auto-drainage and lack-water protection modes



将控制器的棕色线与水泵相连, 黑色线与零线相连, 蓝色线不接并绝缘。

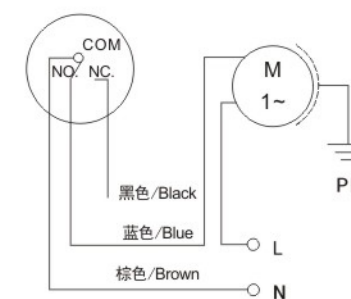
Connect the control's brown line to electric pump, black line is connected to zero-line, blue line can not be connected and should be insulated.

3.外形与尺寸 Outline dimension



描述/DESCRIPTIONS

1.自动补水模式 Auto-fill-water modes



将控制器的蓝色线与水泵相连, 黑色线与零线相连, 棕色线不接并绝缘。

Connect the control's blue line to electric pump, black line is connected to zero-line, brown line can not be connected and should be insulated.

HT-M15-13 FLOAT SWITCH

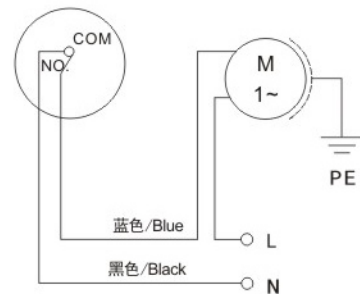


技术参数/TECHNICAL DATA

- | | |
|----------------------|-------------------------------|
| 1.额定电压 : AC 110/220V | 1.Rated voltage: AC 110/220V |
| 2.最大电流 : AC 21(8)A | 2.Max.Current: AC 21(8)A |
| 3.频率 : 50/60Hz | 3.Frequency: 50/60Hz |
| 4.最高使用温度 : 60°C | 4.Max.Using Temperature: 60°C |
| 5.保护等级 : IP68 | 5.Protection Degree: IP68 |

描述/DESCRIPTIONS

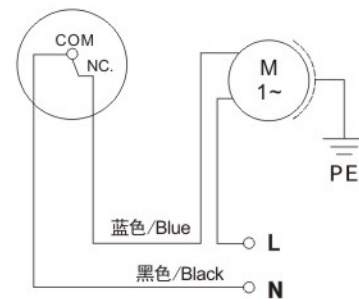
1.自动补水模式 Auto-fill-water modes



将控制器的插头直接插电源，将水泵的插头插入控制器的插座里。

The plug of control directly put into the power supply, the plug of pump directly put into the socket of control.

2.自动排水模式
Auto-drainage and lack-water protection modes



将控制器的插头直接插电源，将水泵的插头插入控制器的插座里。

The plug of control directly put into the power supply, the plug of pump directly put into the socket of control.

HT-M15-14 FLOAT SWITCH

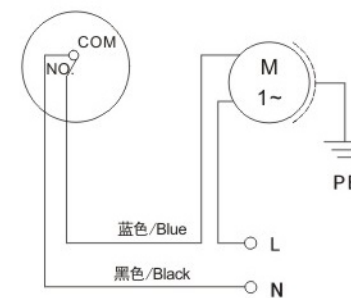


技术参数/TECHNICAL DATA

- | | |
|----------------------|-------------------------------|
| 1.额定电压 : AC 110/220V | 1.Rated voltage: AC 110/220V |
| 2.最大电流 : AC 21(8)A | 2.Max.Current: AC 21(8)A |
| 3.频率 : 50/60Hz | 3.Frequency: 50/60Hz |
| 4.最高使用温度 : 60°C | 4.Max.Using Temperature: 60°C |
| 5.保护等级 : IP68 | 5.Protection Degree: IP68 |

描述/DESCRIPTIONS

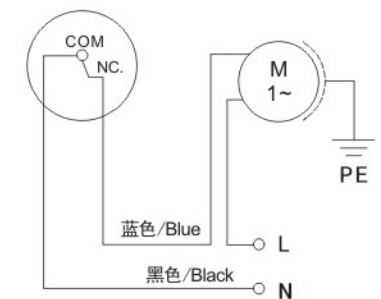
1.自动补水模式 Auto-fill-water modes



将控制器的插头直接插电源，将水泵的插头插入控制器的插座里。

The plug of control directly put into the power supply, the plug of pump directly put into the socket of control.

2.自动排水模式
Auto-drainage and lack-water protection modes



将控制器的插头直接插电源，将水泵的插头插入控制器的插座里。

The plug of control directly put into the power supply, the plug of pump directly put into the socket of control.



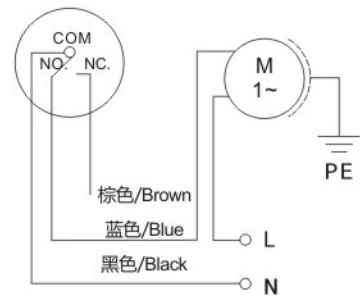
**HT-M15-5
FLOAT SWITCH**

技术参数/TECHNICAL DATA

- | | |
|--------------------|-------------------------------|
| 1.额定电压：AC 110/220V | 1.Rated voltage: AC 110/220V |
| 2.最大电流：AC 21(8)A | 2.Max.Current: AC 21(8)A |
| 3.频率：50/60Hz | 3.Frequency: 50/60Hz |
| 4.最高使用温度：60°C | 4.Max.Using Temperature: 60°C |
| 5.保护等级：IP68 | 5.Protection Degree: IP68 |
| 6.微动开关：确励商标 | 6.Micro Switch:CHERRY Brand |

描述/DESCRIPTIONS

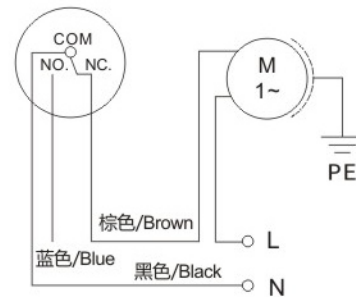
1.自动补水模式 Auto-fill-water modes



将控制器的蓝色线与水泵相连，黑色线与零线相连，棕色线不接并绝缘。

Connect the control's blue line to electric pump, black line is connected to zero-line, brown line can not be connected and should be insulated.

2.自动排水模式
Auto-drainage and lack-water protection modes



将控制器的棕色线与水泵相连，黑色线与零线相连，蓝色线不接并绝缘。

Connect the control's brown line to electric pump,black line is connected to zero-line,blue line can not be connected and should be insulated.



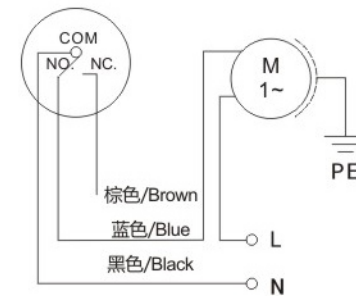
**HT-M15-6
FLOAT SWITCH**

技术参数/TECHNICAL DATA

- | | |
|---------------------|---------------------------------|
| 1. 额定电压：AC 110/220V | 1. Rated voltage: AC 110/220V |
| 2. 最大电流：AC 16(4)A | 2. Max. Current: AC 16(4) A |
| 3. 频率：50/60Hz | 3. Frequency: 50/60Hz |
| 4. 最高使用温度：60°C | 4. Max. Using Temperature: 60°C |
| 5. 保护等级：IP68 | 5. Protection Degree: IP68 |

描述/DESCRIPTIONS

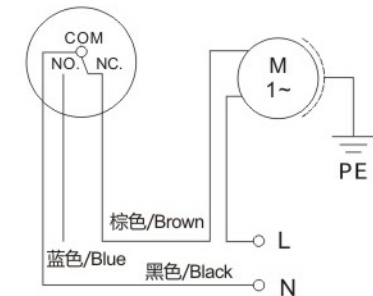
1.自动补水模式 Auto-fill-water modes



将控制器的蓝色线与水泵相连，黑色线与零线相连，棕色线不接并绝缘。

Connect the control's blue line to electric pump, black line is connected to zero-line, brown line can not be connected and should be insulated.

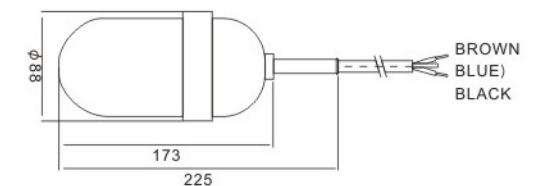
2.自动排水模式
Auto-drainage and lack-water protection modes



将控制器的棕色线与水泵相连，黑色线与零线相连，蓝色线不接并绝缘。

Connect the control's brown line to electric pump,black line is connected to zero-line,blue line can not be connected and should be insulated.

3.外形与尺寸 Outline dimension



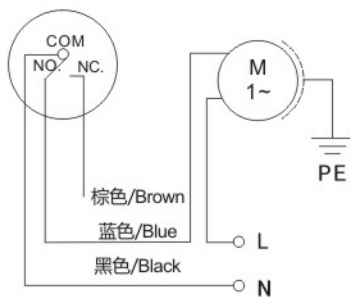


技术参数/TECHNICAL DATA

- | | |
|--------------------|-------------------------------|
| 1.额定电压：AC 110/220V | 1.Rated voltage: AC 110/220V |
| 2.最大电流：AC 21(8)A | 2.Max.Current: AC 21(8)A |
| 3.频率：50/60Hz | 3.Frequency: 50/60Hz |
| 4.最高使用温度：90°C | 4.Max.Using Temperature: 90°C |
| 5.保护等级：IP68 | 5.Protection Degree: IP68 |

描述/DESCRIPTIONS

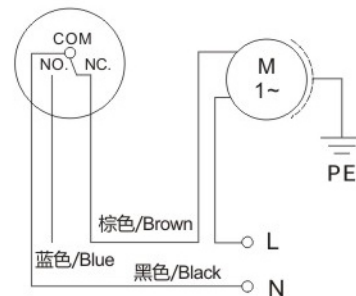
1.自动补水模式 Auto-fill-water modes



将控制器的蓝色线与水泵相连，黑色线与零线相连，棕色线不接并绝缘。

Connect the control's blue line to electric pump, black line is connected to zero-line, brown line can not be connected and should be insulated.

2.自动排水模式 Auto-drainage and lack-water protection modes



将控制器的棕色线与水泵相连，黑色线与零线相连，蓝色线不接并绝缘。

Connect the control's brown line to electric pump,black line is connected to zero-line,blue line can not be connected and should be insulated.

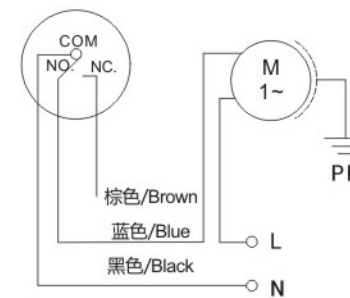


技术参数/TECHNICAL DATA

- | | |
|--------------------|----------------------------------|
| 1.额定电压：AC 110/220V | 1. Rated voltage: AC 110/220V |
| 2.最大电流：AC 5A | 2. Max. Current: AC 5A |
| 3.频率：50/60Hz | 3. Frequency: 50/60Hz |
| 4.最高使用温度：120°C | 4. Max. Using Temperature: 120°C |
| 5.保护等级：IP68 | 5. Protection Degree: IP68 |

描述/DESCRIPTIONS

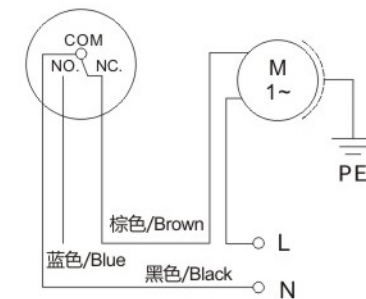
1.自动补水模式 Auto-fill-water modes



将控制器的蓝色线与水泵相连，黑色线与零线相连，棕色线不接并绝缘。

Connect the control's blue line to electric pump, black line is connected to zero-line, brown line can not be connected and should be insulated.

2.自动排水模式 Auto-drainage and lack-water protection modes



将控制器的棕色线与水泵相连，黑色线与零线相连，蓝色线不接并绝缘。

Connect the control's brown line to electric pump,black line is connected to zero-line,blue line can not be connected and should be insulated.

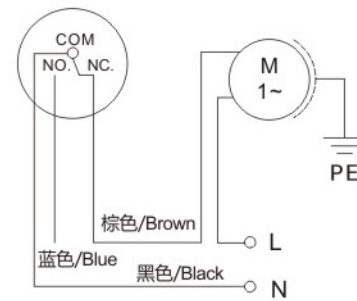


**HT-M15-17
FLOAT SWITCH**

技术参数/TECHNICAL DATA

- | | |
|--------------------|---------------------------------|
| 1、额定电压：AC 110/220V | 1. Rated voltage: AC 110/220V |
| 2、最大电流：AC 16(4)A | 2. Max. Current: AC 16(4)A |
| 3、频率：50/60Hz | 3. Frequency: 50/60Hz |
| 4、最高使用温度：60°C | 4. Max. Using Temperature: 60°C |
| 5、保护等级：IP68 | 5. Protection Degree: IP68 |

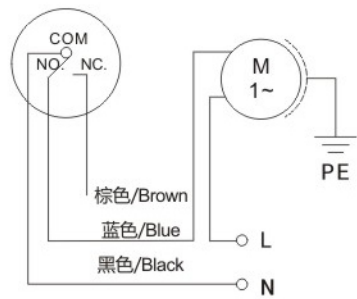
**2.自动排水模式
Auto-drainage and lack-water protection modes**



将控制器的棕色线与水泵相连，黑色线与零线相连，蓝色线不接并绝缘。
Connect the control's brown line to electric pump, black line is connected to zero-line, blue line can not be connected and should be insulated.

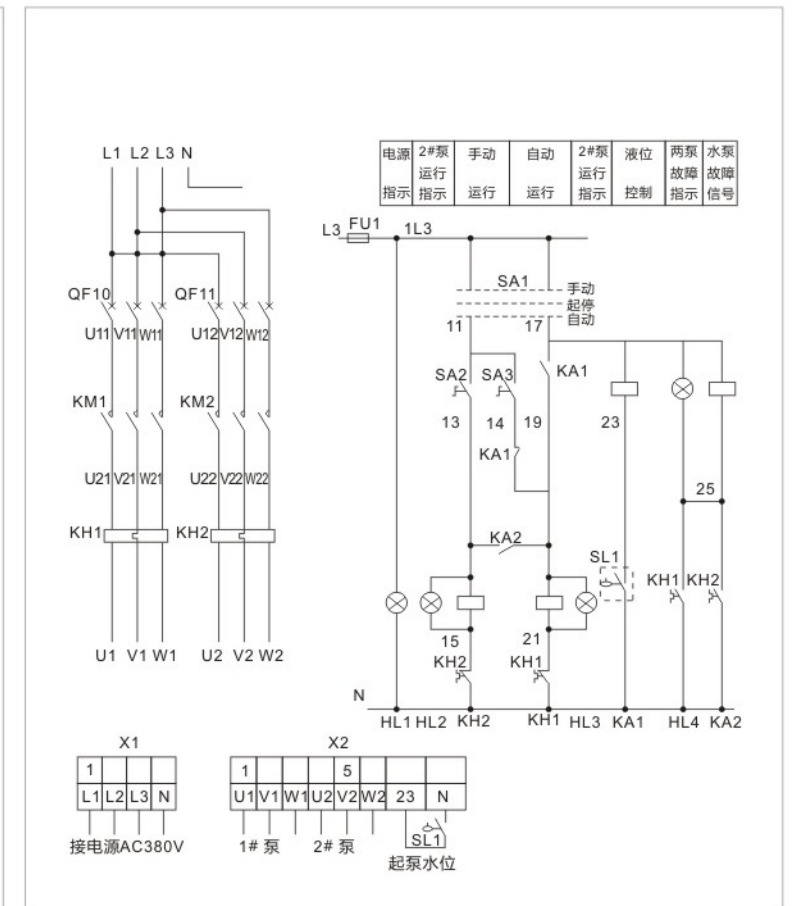
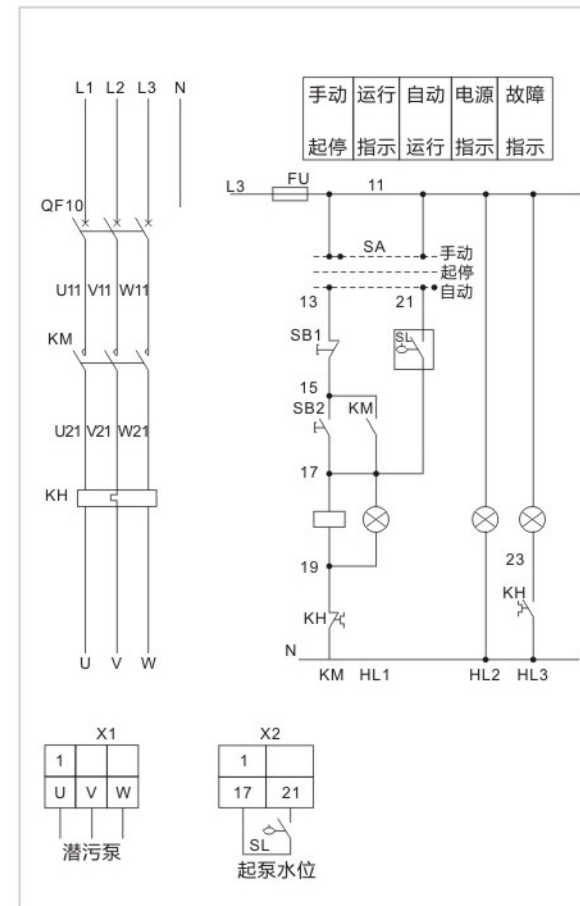
描述/DESCRIPTIONS

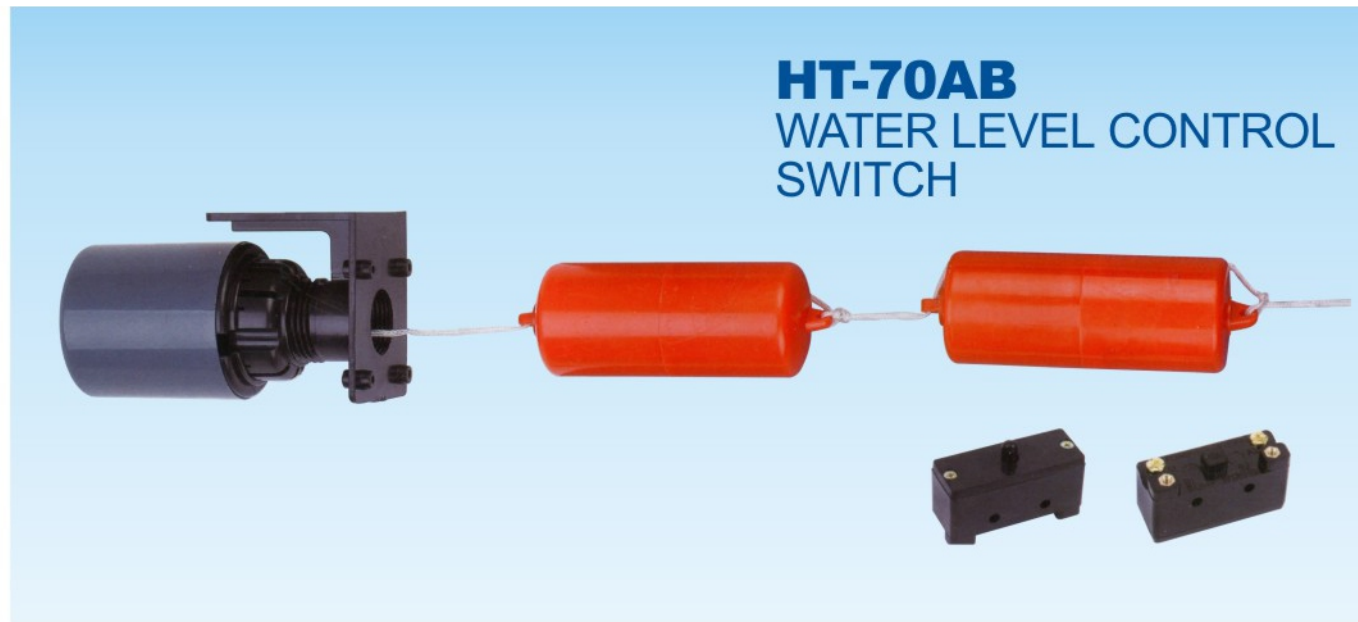
1.自动补水模式 Auto-fill-water modes



将控制器的蓝色线与水泵相连，黑色线与零线相连，棕色线不接并绝缘。

Connect the control's blue line to electric pump, black line is connected to zero-line, brown line can not be connected and should be insulated.



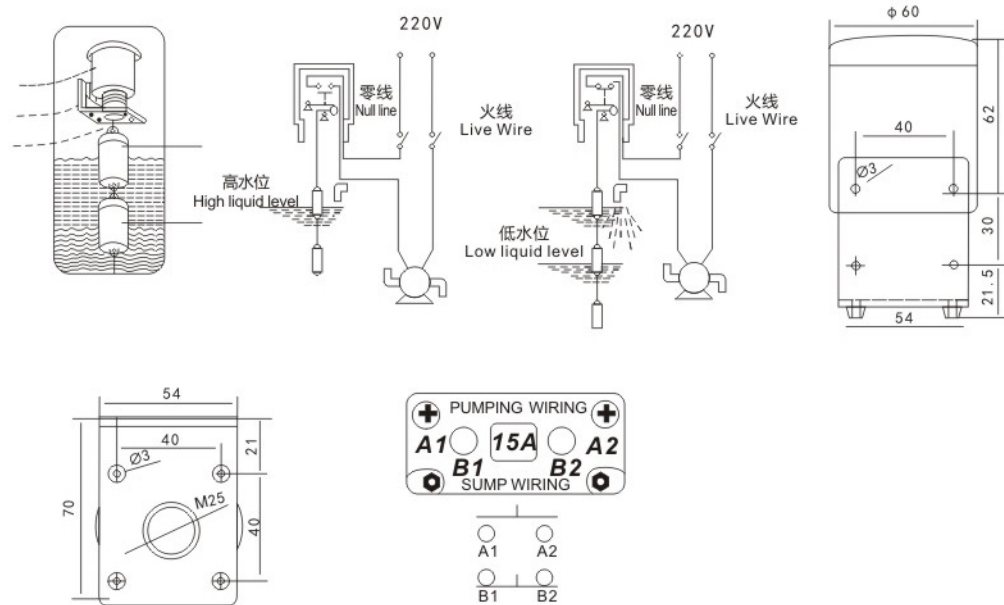


HT-70AB
WATER LEVEL CONTROL
SWITCH

技术参数/TECHNICAL DATA

- | | |
|-----------------------|---------------------------------|
| 1. 额定电压 : AC 110/220V | 1. Rated voltage: AC 110/220V |
| 2. 最大电流 : AC 15(3)A | 2. Max. Current: AC 15(3) A |
| 3. 频率 : 50/60Hz | 3. Frequency: 50/60Hz |
| 4. 最高使用温度 : 60°C | 4. Max. Using Temperature: 60°C |
| 5. 蓄水使用A1和A2触点 | 5. Filling use A1 and A2 Point |
| 6. 排水使用B1和B2出点 | 6. Draining use B1 and B2 Point |

外形与尺寸 Outline dimension

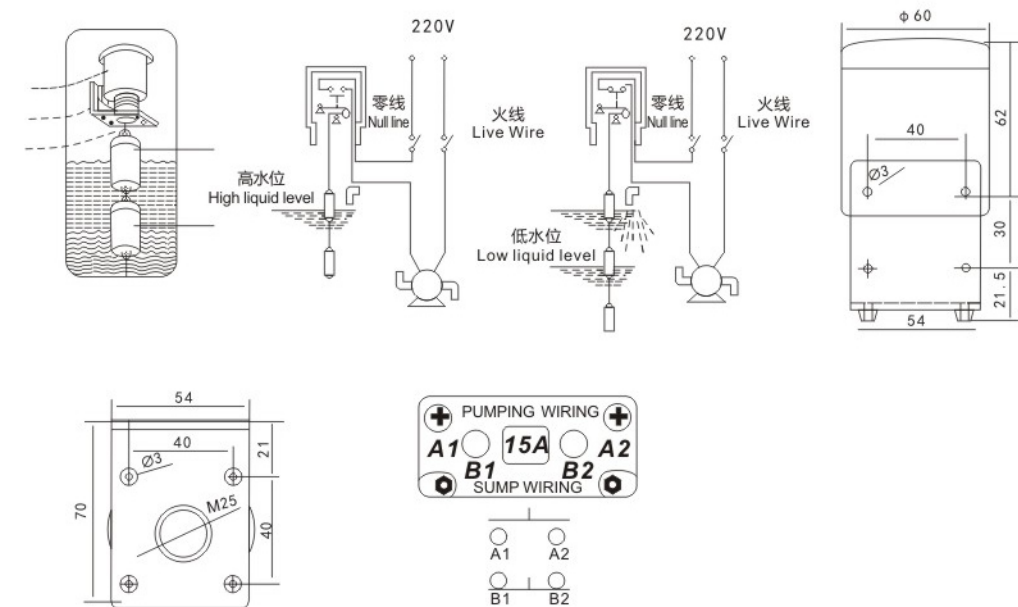


HT-80AB
WATER LEVEL CONTROL
SWITCH

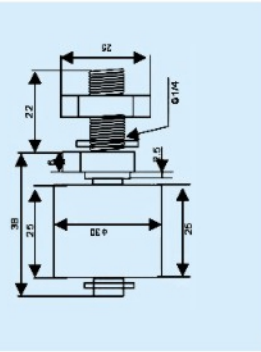
技术参数/TECHNICAL DATA

- | | |
|-----------------------|---------------------------------|
| 1. 额定电压 : AC 110/220V | 1. Rated voltage: AC 110/220V |
| 2. 最大电流 : AC 15(3)A | 2. Max. Current: AC 15(3) A |
| 3. 频率 : 50/60Hz | 3. Frequency: 50/60Hz |
| 4. 最高使用温度 : 60°C | 4. Max. Using Temperature: 60°C |
| 5. 蓄水使用A1和A2触点 | 5. Filling use A1 and A2 Point |
| 6. 排水使用B1和B2出点 | 6. Draining use B1 and B2 Point |

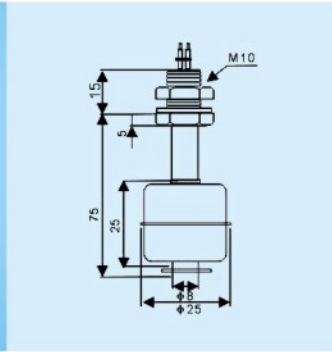
外形与尺寸 Outline dimension



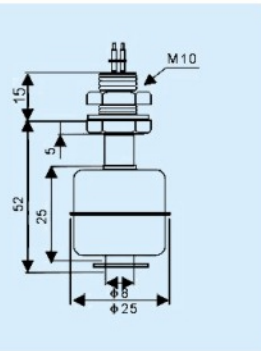
塑料浮球开关 PLASTIC FLOAT SWITCH



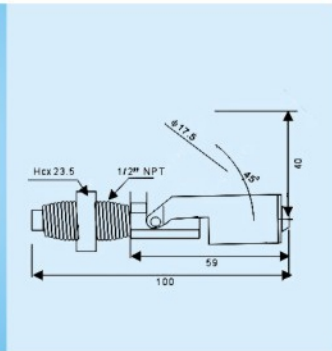
HT-ZPC2



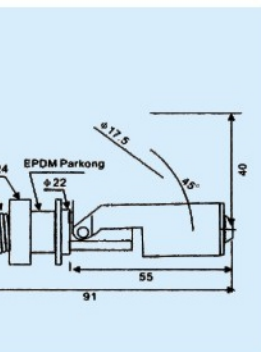
HT-7510P



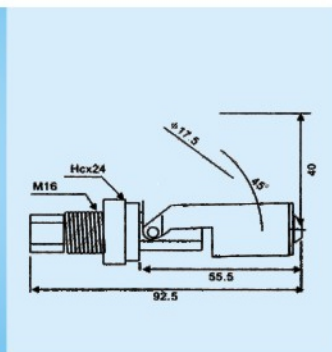
HT-5210P



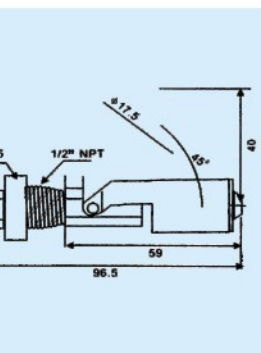
HT-ZPC3



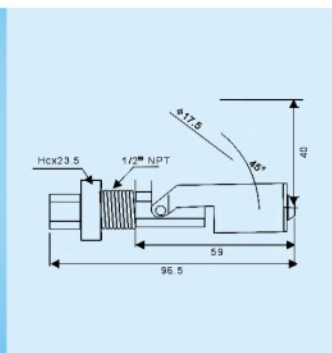
HT-ZPC4



HT-ZPC5

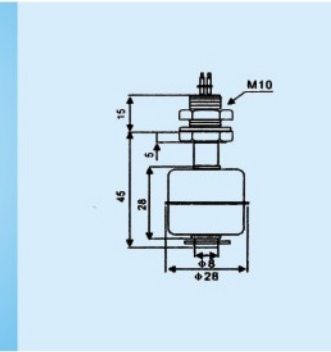


HT-ZPC6

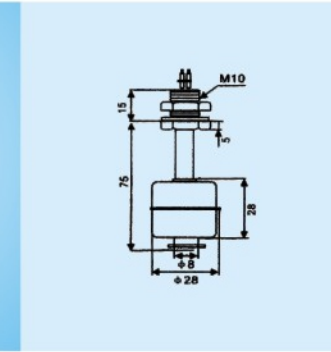


HT-ZPC7

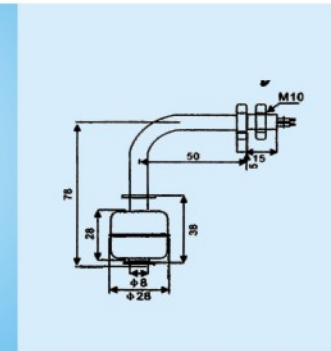
金属浮球开关 STAINLESS STEEL FLOAT SWITCH



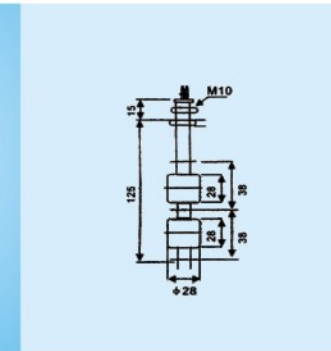
HT4510S



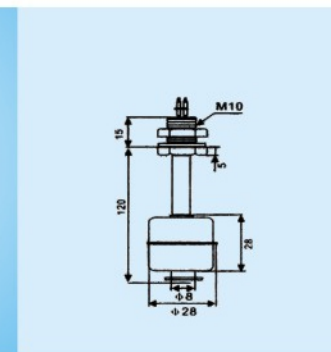
HT7510S



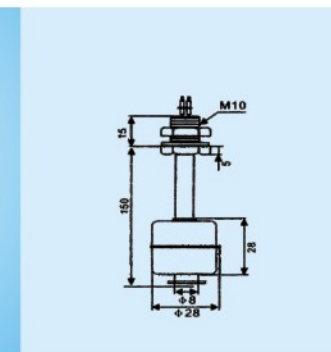
HT7810SL



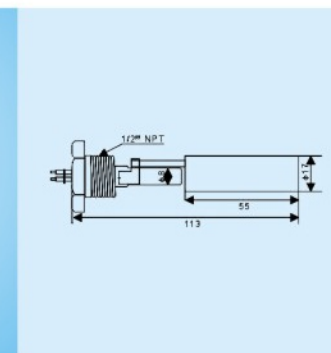
HT12010-2S



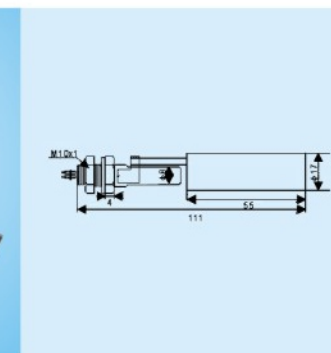
HT12010S



HT15010S



HT-ZPC12S



HT-ZPC11S

PC-10



- 技术参数:
- 1.额定电压:220-240V
 - 2.最大电流:10A
 - 3.频率:50/60Hz
 - 4.螺纹接口:1"
 - 5.防护等级:IP65
 - 6.启动压力:1.5bar 或者 2.2bar
- Descriptions:
- 1.Rated Voltage:220-240V
 - 2.Max:curent:10A
 - 3.Frequency:50/60Hz
 - 4.Joint Screw:1"
 - 5.Protection Grade:IP65
 - 6.Starting Pressure to choose:1.5bar or 2.2bar

PC-11



- 技术参数:
- 1.额定电压:220-240V
 - 2.最大电流:10A
 - 3.频率:50/60Hz
 - 4.螺纹接口:1"
 - 5.防护等级:IP65
 - 6.启动压力:1.5bar 或者 2.2bar
- Descriptions:
- 1.Rated Voltage:220-240V
 - 2.Max:curent:10A
 - 3.Frequency:50/60Hz
 - 4.Joint Screw:1"
 - 5.Protection Grade:IP65
 - 6.Starting Pressure to choose:1.5bar or 2.2bar

PC-12



- 技术参数:
- 1.额定电压:220-240V
 - 2.最大电流:10A
 - 3.频率:50/60Hz
 - 4.螺纹接口:1"
 - 5.防护等级:IP54
 - 6.启动压力:1.5bar 或者 2.2bar
- Descriptions:
- 1.Rated Voltage:220-240V
 - 2.Max:curent:10A
 - 3.Frequency:50/60Hz
 - 4.Joint Screw:1"
 - 5.Protection Grade:IP54
 - 6.Starting Pressure to choose:1.5bar or 2.2bar

PC-13



- 技术参数:
- 1.额定电压:220-240V
 - 2.最大电流:10A
 - 3.频率:50/60Hz
 - 4.螺纹接口:1"
 - 5.防护等级:IP65
 - 6.启动压力:1.5bar 或者 2.2bar
- Descriptions:
- 1.Rated Voltage:220-240V
 - 2.Max:curent:10A
 - 3.Frequency:50/60Hz
 - 4.Joint Screw:1"
 - 5.Protection Grade:IP65
 - 6.Starting Pressure to choose:1.5bar or 2.2bar

PC-19



- 技术参数:
- 1.额定电压:220-240V
 - 2.最大电流:10A
 - 3.频率:50/60Hz
 - 4.螺纹接口:1"
 - 5.防护等级:IP65
 - 6.启动压力:1.5bar
- Descriptions:
- 1.Rated Voltage:220-240V
 - 2.Max:curent:10A
 - 3.Frequency:50/60Hz
 - 4.Joint Screw:1"
 - 5.Protection Grade:IP65
 - 6.Starting Pressure to choose:1.5bar

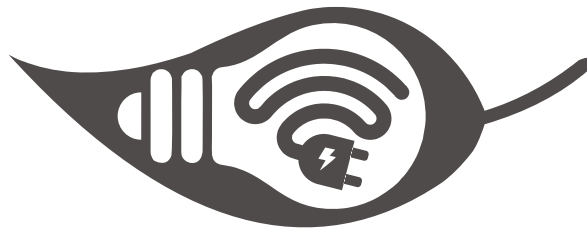
PC-2



- 技术参数:
- 1.最小压力:20PSI
 - 2.最大压力:80PSI
 - 3.螺纹接口:1/4"
 - 4.压力设定/设置: 20-40PSI, 30-50PSI, 40-60PSI
- Descriptions:
- 1.Min.Pressure(on):20PSI
 - 2.Max.Pressure(off):80PSI
 - 3.Joint Thread:1/4"
 - 4.Pressure Setting:20-40PSI,30-50PSI,40-60PSI



SAVE ON ENERGY, STARTS FROM ME !



OLDLANG

Oldlang Smart Electrical



E-mail: Oldlang_sale@163.com <http://www.Oldlang.com>
Hangzhou: Future Science And Technology City / Nanjing: Gaochun Economic development zone

